



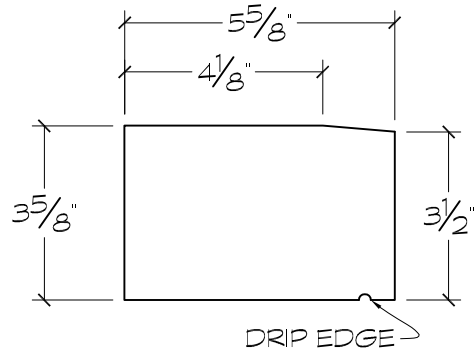
Harvey Cement Products, Inc.

Since 1947

16030 Park Avenue, Harvey, IL 60426

Ph: 708.333.1900 F: 708.333.1910

www.harveycement.com



CROSS SECTION

1 **PROFILE JA**  
 ARCH REF:  
 SCALE: 3"=1'-0"

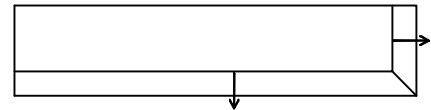
TOP VIEWS



STRAIGHT



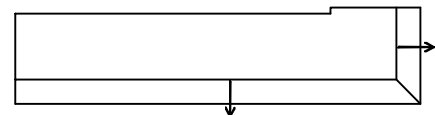
LEFT END RETURN



RIGHT END RETURN



CUSTOM LEFT RETURN



CUSTOM RIGHT RETURN

DRIP EDGE - OPTIONAL

Profile ID

JA

**SUGGESTED USE**

Sill	X
Transition Band	
Coping	
Cap	X
Band	X
Field	

**TYPE / SIZE AVAILABILITY**

TYPE	LENGTH(S)
Straight	23 <sup>5</sup> / <sub>8</sub> "
Left End Return	25 <sup>5</sup> / <sub>8</sub> "
Right End Return	25 <sup>5</sup> / <sub>8</sub> "
Custom Left Ret.	Up to 25 <sup>5</sup> / <sub>8</sub> "
Custom Right Ret.	Up to 25 <sup>5</sup> / <sub>8</sub> "